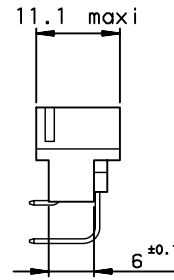
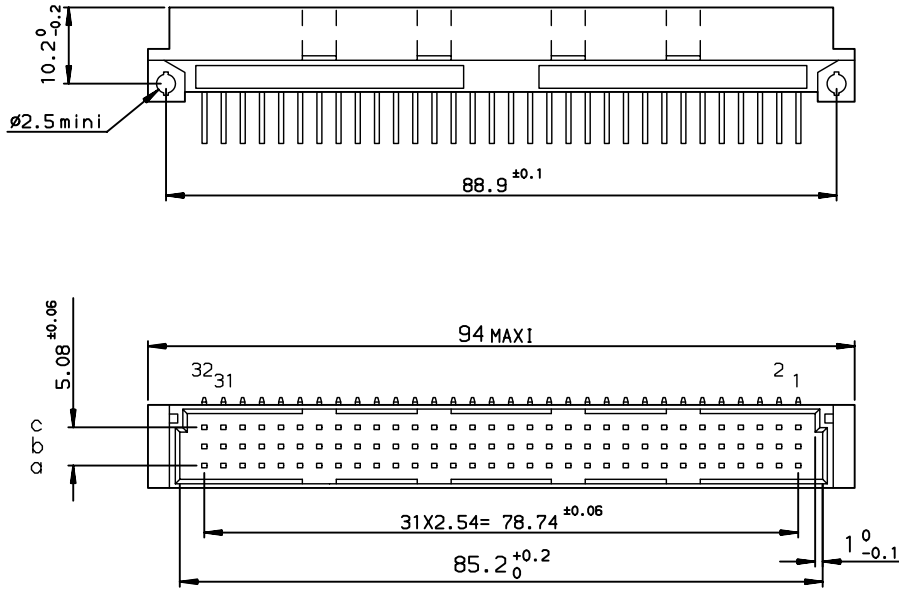
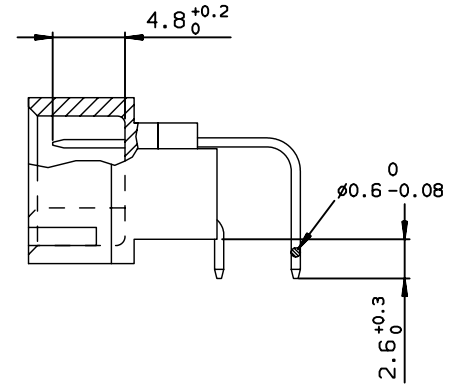


DIMENSIONS



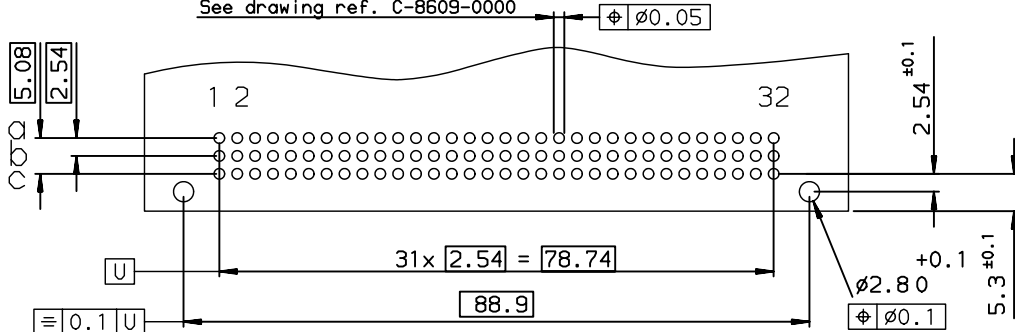
GENERAL CHARACTERISTICS :
 -SEE DRAWING REF. C-8609-0000
 SPECIFIC CHARACTERISTIC :
 -insulator with notches for keying

TERMINATION



P.C. CARD DRILLING (Component side view)

See drawing ref. C-8609-0000



PART NUMBER : 8609-464-71-13-345-000-E1

European Views

www.fciconnect.com		surface ISO 1302 ✓	tolerance std ISO 406 ISO 1101	projection mm
TOLERANCES UNLESS OTHERWISE SPECIFIED				
Dr	LEGALLIC	2001/02/12	ANGULAR	0.X ±0.1
Eng	LEGALLIC	2001/02/12	LINEAR	0.XX ±0.1
Chr	LEGARE	2001/02/12	0.XX' ±2'	0.XXX ±0.1
Appr	LEGARE	2001/02/12	Product family	DIN
			size	A3
			Scale	1.5
			ECN	LS07-0130
			Spec ref	-
		STD MALE 3 ROW 64 CONTACTS		title C-8609-0983
catalog no		-		Rev. B
			sheet 1 of 1	CUSTOMER

rev	ecn no	dr	date
A	-	HLE	2001/02/12
B	LS07-0130	HLE	2007/06/05
-	-	-	-
-	-	-	-
-	-	-	-
-	-	-	-